



KBBR 1250-2G-RE

KBBR 1510-2G

Attractive design cater for Bar application.



Detail : 1



Detail : 2

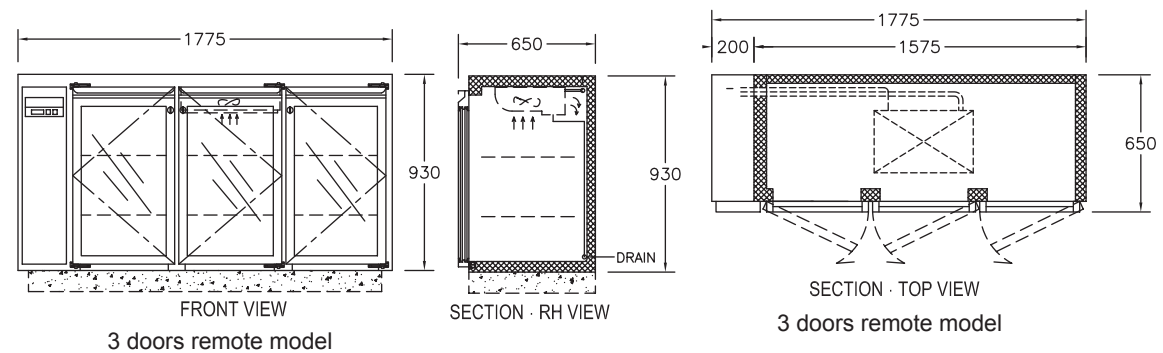


Detail : 3

### STANDARD FEATURES

Insulation	Polyurethane foam injected under 500 tons of pressure to ensure uniformity and high structural strength, 60 mm. thick.
Finish	<ul style="list-style-type: none"> <li>Stainless steel interior and exterior.</li> <li>Zincalume steel top base and back, S/S or other worktop available.</li> </ul>
Door	Choices of double pane smoked glass, heated glass or toughened heated glass. Doors are self-closing with easily replacable magnetic door gasket
Refrigerator system	Self contained or remote condensing unit depending on model. Fitted with condensate evaporator, no external drain required.
Controller	Multi-function microprocessor controlled with digital thermometer display.
Shelves	Two adjustable PVC coated wire shelves per door, with additional shelves available as option.
Leg / castor	Unit is designed to be mounted on plinth, but can be ordered with adjustable bullet feet or lockable castor.as option.
Optional extra	<ul style="list-style-type: none"> <li>Solid S/S doors.</li> <li>Locks.</li> <li>Different types of worktop.</li> <li>Bullet feet or Castors.</li> <li>Smoked glass.</li> </ul>

Dimension :



### TECHNICAL DATA

Model number	Self contained models			Remote models		
	KBBR-1510-2G	KBBR-2035-3G	KBBR-2560-4G	KBBR-1250-2G-RE	KBBR-1775-3G-RE	KBBR-2300-4G-RE
Dimension L x D x H (mm.)	1510 x 650 x 930	2035 x 650 x 930	2560 x 650 x 930	1250 x 650 x 930	1775 x 650 x 930	2300 x 650 x 930
Capacity Cu.Ft / Litres	15.7/445	24.5/694	32.3/914	15.7/445	24.5/694	33.3/942
Temperature range	2 °C to 5 °C					
Cooling capacity (Btu.)	1972	2364	2941	1910	2292	2944
Compressor (Hp.)	1/2	3/4	3/4	1/2	3/4	3/4
Refrigerant.	R 134 a			R 404 a with TXV.		
Power supply	220 V / 50 Hz / 1 Ph.(60 Hz models are available.)					

Dealer :



CERTIFICATE NO.34705



CERTIFICATE NO.35913

Continued product improvement is **WELBILT** Manufacturing (Thailand) Ltd., policy. Specifications are subject to change without notice.