

# KOLDTECH

The Technology of Excellence

Minimart display to light up your merchandise

# Upright Showcase Unit

## TSR & TSF-SERIES » Top mounted minimart display unit



TSR-2

### STANDARD FEATURES

Insulation	Polyurethane foam injected under 500 tons of pressure to ensure uniformity and high structural strength., 60 mm. thick.
Finish	Interior and exterior white Colorbond steel (Food grade). Zinalume top, base and back
Glass door	Double pane glass door, with 3mm heat reflective coated glass, self closing door with easily replaceable magnetic door gasket. Freezer are fitted with heated glass anti-sweat mullion heaters.
Refrigerator system	Top mounted condensing unit or optional remote system. Fitted with condensate evaporator, no drain connection required.
Controller	Multi-function microprocessor controlled with digital thermometer display.
Refrigerant	<ul style="list-style-type: none"> <li>Refrigerator (R) R134a</li> <li>Freezer (F) R404a</li> <li>CFC free</li> </ul>
Shelf	Complete with 5 pcs. PVC coated wire shelves per full door.
Leg / caster	Choice of heavy duty, adjustable, stainless steel bullet feet or 70 mm high swivel casters.
Other features	Coved stainless steel floor pan. Vertical lights to brightly lit light the products.
Optional extra	<ul style="list-style-type: none"> <li>Remote condensing unit.</li> <li>Mullion heater for refrigerator.</li> <li>Additional shelves.</li> <li>Choice of door opening direction.</li> </ul>

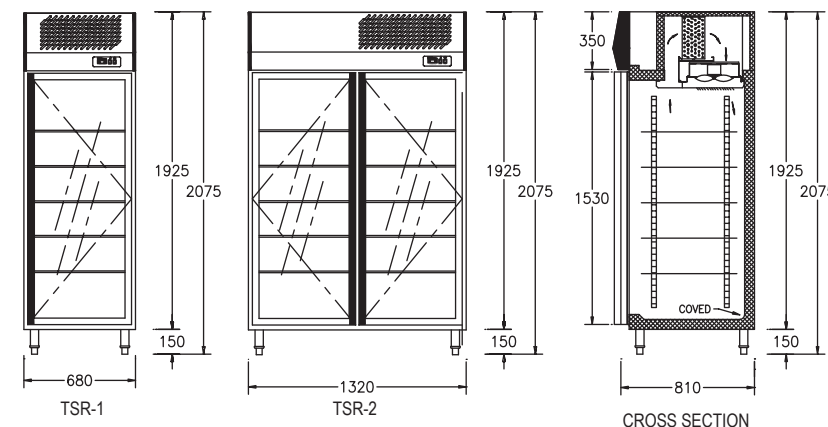


Detail : 1



Detail : 2

### Dimension :



### TECHNICAL DATA

#### Refrigerated Models

#### Freezer Models

Model number	TSR-1	TSR-2	TSR-3	TSF-1	TSF-2	TSF-3
Dimension - LxDxH (mm)	680 x 810 x 2075	1320 x 810 x 2075	1975 x 810 x 2075	680 x 810 x 2075	1320 x 810 x 2075	1975 x 810 x 2075
Temperature range	2°C to 5°C			-18°C to -20°C		
Cabinet capacity Cu. Ft / Litres.	20/566	43/1220	66/1870	20/566	43/1220	66/1870
Cooling capacity (Btu.)	1774	3269	4538	2457	4442	6155
Compressor (Hp.)	1/6	1/3	1/2	3/4	1	2-3/4
Shelves	5	10	15	5	10	15
Interior light (w)	36 x 2			36 x 2		
Defrosting system	Circulated air			Electric		

Note : 60 Hz models are available

Dealer :

Continued product improvement is **WELBILT** Manufacturing (Thailand) Ltd., policy. Specifications are subject to change without notice.



CERTIFICATE NO. 34705



CERTIFICATE NO. 35013

CAT-TSR-TSF-0308-02