

STANDARD FEATURES

Insulation	Polyurethane foam injected under 500 tons of pressure to ensure uniformity and high structural strength.
Finish	Tough, hygienic construction, exterior bodies are stainless steel no.4 finish. Door frame and mullion are of 430 grade stainless steel for magnetic gaskets. Interior is stainless steel 2B finish. Zinalume steel top, base and back.
Door	Self closing door with easily replaceable magnetic gasket. Mullion heater are standard for freezer units but optional for refrigerator. Double pane heat reflective glass doors or stainless steel drawers are available as options.
Refrigerator system	Self-contained, easily removable, left or right condensing unit or remote as option. Fitted with condensate evaporator, no drain connection required.
Controller	Multi-function microprocessor controlled with digital temperature display.
Refrigerant	<ul style="list-style-type: none"> • R404a for freezer • R134a for chiller
Temperature range	<ul style="list-style-type: none"> • Refrigerator 2°C to 5°C • Freezer -15°C to -18°C
Shelves	Complete with 1 piece PVC coated wire shelf per door.
Options	<ul style="list-style-type: none"> • Stainless steel work top. • Stainless steel wire shelf. • Glass door instead of S/S door. • Marble or granite top. • Stainless steel base and back. • Swivel castors. • Different types of splashback. • Locking plate or cylinder locks. • Pass through S/S door at the back. • Remote condensing unit with side or ceiling mounted evaporator • 2 or 3 drawers (suit GN pan size) in place of S/S door.



GN 1/1 Undercounter with flexible configuration.

UCR-GN1-1435
with optional cylinder locks. and stainless steel work top.

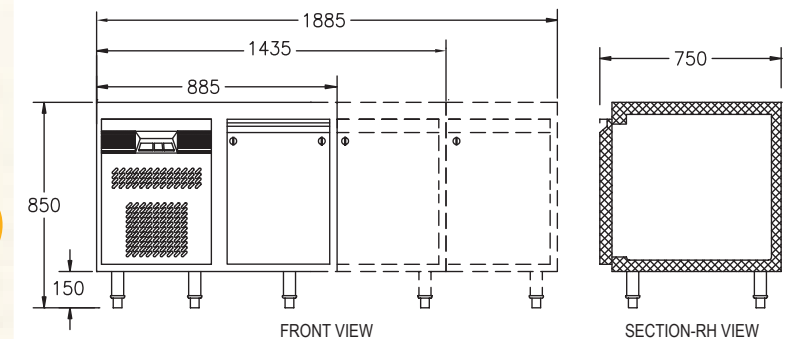


Optional Cylindrical lock



Digital controller

Dimension :



TECHNICAL DATA

Refrigerator model	Refrigerated Models			Freezer Models		
	UCR-GN1-885	UCR-GN1-1435	UCR-GN1-1885	UCF-GN1-885	UCF-GN1-1435	UCF-GN1-1885
Dimension D x H (mm.)	885 x 750 x 850	1435 x 750 x 850	1885 x 750 x 850	885 x 750 x 850	1435 x 750 x 850	1885 x 750 x 850
Capacity Cu. Ft./ Litres	143	365	547	143	365	547
Cooling capacity (Btu.)	488	959	1341	662	1242	1709
Compressor (hp)	1/8	1/6	1/6	1/3	3/4	3/4
Door (s)	1	2	3	1	2	3
Power supply	220-240 V / 1 Ph. (50 Hz models are available)					

Dealer :



Continued product improvement is **WELBILT** Manufacturing (Thailand) Ltd., policy. Specifications are subject to change without notice.