

ITEM :

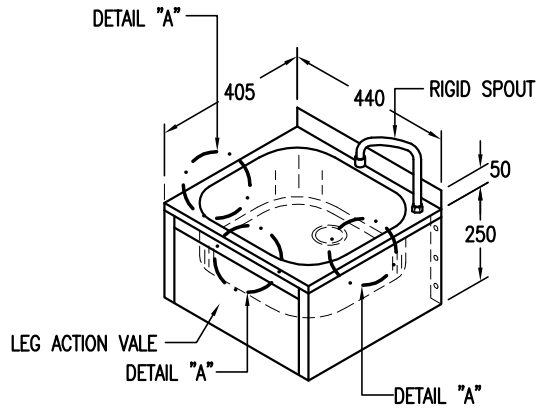
HAND WASH SINK

QTY :

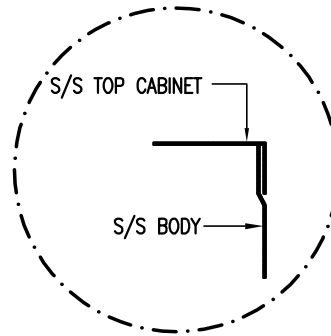
-

PR. No. :

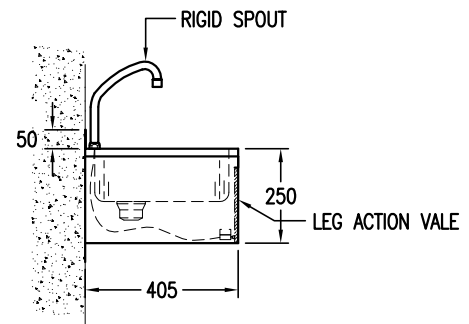
.....



ISOMETRIC VIEW



DETAIL "A"



SIDE VIEW

GENERAL SPECIFICATION

- S/S 16 GAUGE TOP & BACK SPLASH.
- S/S 20 GAUGE BODY.
- 1-BOWL SINK DIM : 390x355x140mm.DEEP.
- 1-RIGID SPOUT.

APPROVED BY CUSTOMERS	RECEIVED BY SALE	PROJECT-CO	PROJECT MANAGER
DATE.....	DATE.....	DATE.....	DATE.....



PROJECT : -			
DRAWN : -		CHECK : -	
SCALE : 1 : 20	DATE : -	REVISION : -	REVISION DATE : -

HEAD OFFICE 15 Moo 14 Bangna-Trad Highway Km. 10, Bangplee, Samutprakarn 10540 Thailand. Tel. (662)3160751-8, Fax : (662)3167554, E-Mail : project@somerville-siam.com