

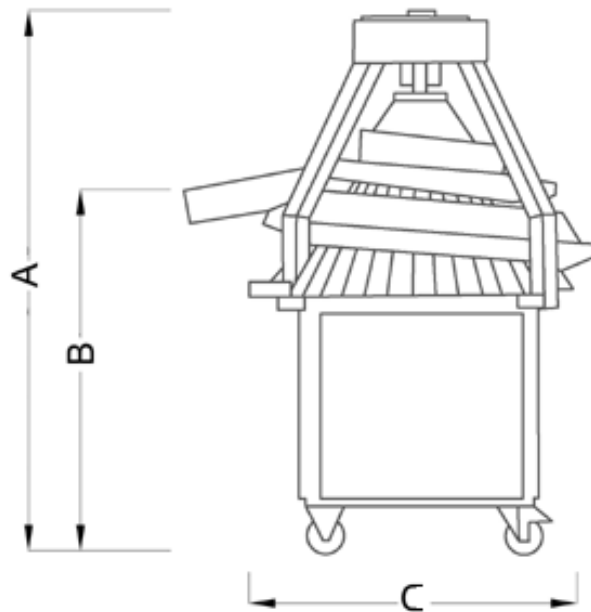
BC - E



Hourly production : max. 2000 pcs
Adjustable spiral crawl in Teflon
Steel and aluminium body
Mechanical flour duster
Machine mounted on castors fitted with blocking system

OPTIONS :

Teflon coated cone
Hot and cold air blower
Multi speed system for the cone regulation



Dimensions	
A mm	1460
B mm	950
C mm	960
Weight of pieces*	
gr	de 100 à 1200*
Weight	
Kg	240
Power	
kW	0.55
Voltage	
.	TRI - 380 V - 50 Hz
* Rounding tolerance $\pm 10\%$	